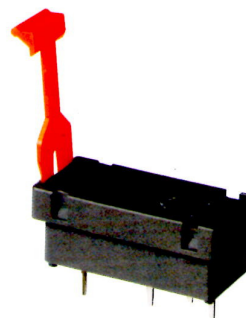


S10-P

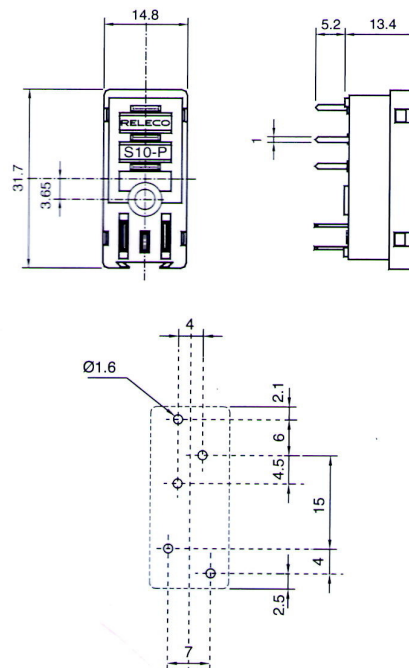
Printed circuit socket for Interface relays, C10 and CSS



Type:	S10-P Printed circuit socket for 1-pole IRC relay
Rated current	10 A
Specifications	
Rated load	10 A / 250 V
Insulation	Test voltage V rms / 1 min 5 kV rms
Coil terminals to contacts	0,5 x 1 mm
Hard Brass tin-platted terminals	for relay series C10, CSS
Integrated retaining clip/plastic	detachable
Labelling space	1...5; DIN/EN
Connection label	
Ambient temperature operation/storage	-40 (no ice)...60 °C / -40 ... 80 °C



Dimensions [mm]



Technical approvals, conformities



IEC 61810 EN 60947