

**S2-L, S2-P, S2-PO**

Socket for PCB and soldering according to IEC 67-1-5b for relays C2-...

<b>Type</b>	<b>S2-L</b> 2-pole, flange panel mountable
	<b>S2-P</b> 2-pole, printed circuit
	<b>S2-PO</b> 2-pole, printed circuit with flange

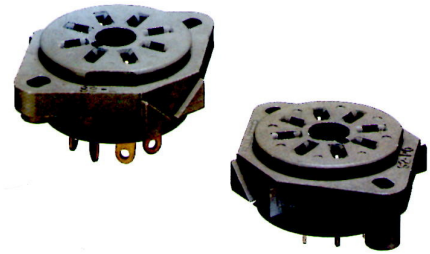
**Rated current** 10 A

**Specifications**

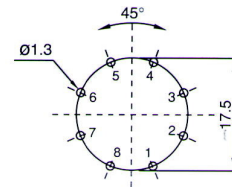
Rated load	10 A / 300 V
Insulation	test voltage $V_{rms}$ / 1 min
Between terminals	2,5 kV
Connection label	1...8; DIN/EN
Ambient temperature operation/storage	-40 (no ice)...60 °C / -40 ... 80 °C

**Accessories**

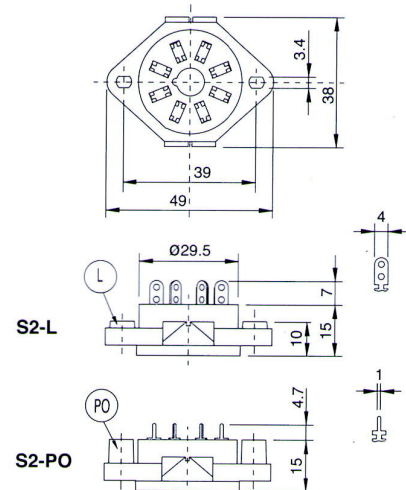
Retaining spring, steel **S3-C**



**Printed circuit lay-out [mm]**



**Dimensions [mm]**



**Technical approvals, conformities**



EN 60947-1, EN 61810-1