

S2-S**Socket for 8-pin standard relay according to IEC 67-I-5B**

Type	S2-S 2-pole, 2 connection level Coding ring optional Integrated retaining clip and labelling space
Rated current	10 A
Specifications	
Rated load	10 A / 300 V
Insulation	Test voltage V rms / 1 min
– All terminals/DIN rail	2,5 kV
– Terminal/terminal	2,5 kV
Cross-section of connecting wire	
– Single-wire	4 mm ² or 2 x 2,5 mm ²
– Multi-wire	22 - 14 AWG
Max. screw torque	1,2 Nm
Screw dimensions	M3, Pozi, slot
Integrated retaining clip/plastic	for relay series C2
Labelling space	detachable
Connection label	1...8; DIN/EN
Mounting	DIN rail TS35 or mounting plate
Ambient temperature operation/storage	-40 (no ice)...60 °C / -40 ... 80 °C

Associated, plug-in 8-pin MRC relays

Suitable for holding the Releco coding ring
For coding the relay and the socket.

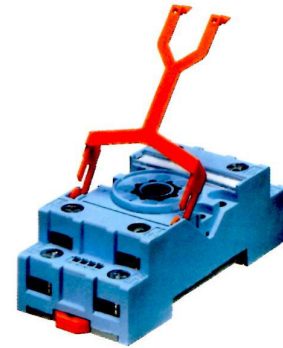
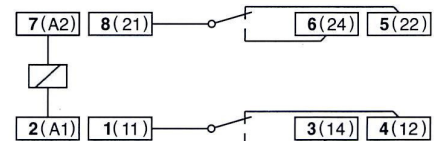
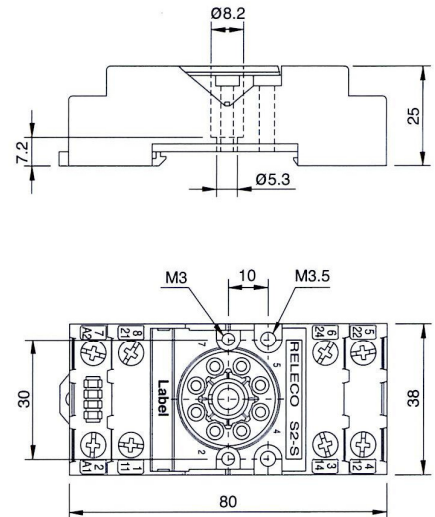
C2-A, C2-G, C2-T**Accessories**

Coding ring, blue set:

S2-BC

Packaging unit: 5 pcs

Retaining spring, steel

S3-C, S3-CT (with Timecube)**Connection diagram****Dimensions [mm]**

Sockets

4

Technical approvals, conformities

EN 60947-1, EN 61810-1