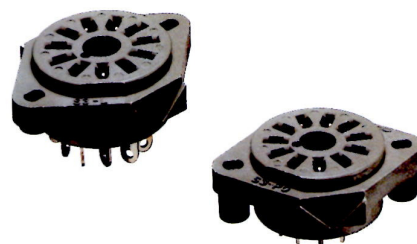


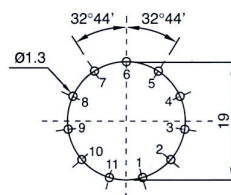
S3-L, S3-P, S3-PO

Socket for PCB and soldering, according to IEC 67-I-5b for relays C3-...

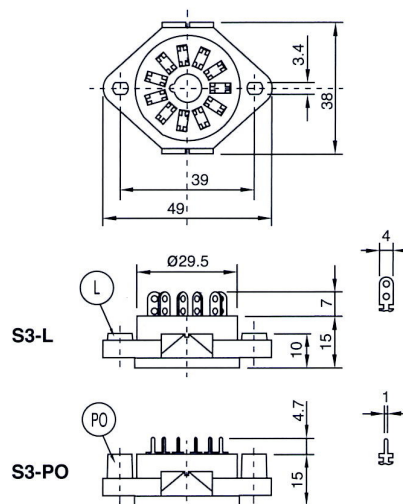
Type	S3-L 3-pole, flange panel mountable
	S3-P 3-pole, printed circuit
	S3-PO 3-pole, printed circuit with flange
Rated current	10 A
Specifications	
Rated load	10 A / 250 V
Dielectric strength adjacent pin	2.5 kV
Accessories	
Retaining spring, steel	S3-C



Printed circuit lay-out [mm]



Dimensions [mm]



Sockets

4

Technical approvals, conformities



EN 60947-1, EN 61810-1